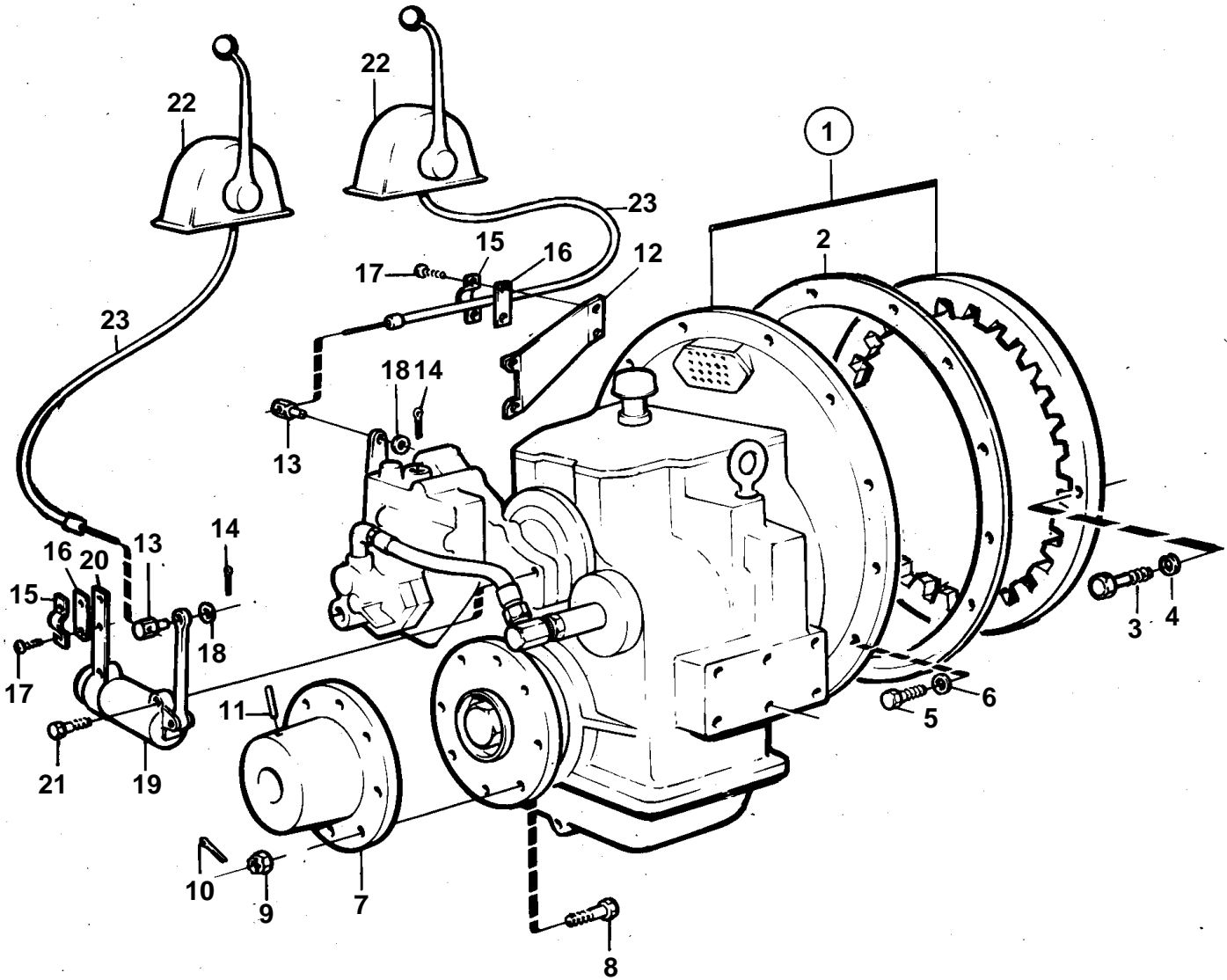


TMD102A, TAMD102A



16412

TMD102A, TAMD102A

REF	PART NO.	QTY	DESCRIPTION	NOTES
1		1	Reversing gear	RATIO 1.45:1
		1	Reversing gear	RATIO 2.00:1
		1	Reversing gear	RATIO 3.00:1
		1	Reversing gear	RATIO 3.83:1
		1	Reversing gear	RATIO 4.50:1
			Comps. not spec.	
2	862661	1	Gasket	
3	955561	8	Screw	
4	940280	8	Spring washer	
5	940134	12	Screw	
6	941909	12	Spring washer	
7	837055	1	Clutch flange	I.D=30mm
	837093	1	Companion flange	SO I.D=60mm
8		6	Screw	FOR 837055
	955774	8	Screw	SO FOR 837093
9	955887	6	Nut	FOR 837055
	950381	8	Lock nut	SO FOR 837093
10	907861	6	Cotter pin	FOR 837055
	907881	8	Cotter pin	FOR 837093
11	17178	2	Pin	FOR 837055
12	836117	1	Bracket	
		2	Pin	FOR 837093
		1	Control attachment	EARLY TYPE
13	853217	2	Cube	(813674)
	842782	2	Ball joint	EARLY TYPE
14	907824	2	Cotter pin	
15	819067	2	Brace	For control cable type 333.
	6853782	2	Clamp	For control cable type 443.
16	819068	2	Washer	
17	950021	4	Screw	
18	940191	2	Washer	
19	847184	1	Slip valve	SO
20		1	Bracket	
21	955523	2	Screw	
22		X	Control	SEE GROUP 27
23		X	Control cable	SEE GROUP 27